

LED ECO-PANEL BL SERIE (LED ECO-PANEL BL SERIES)

Inbouw (Recessed)



40000171

€ 35
(Excl. driver)

LED drivers separaat bij te bestellen
(LED drivers to be ordered separately):

Niet dimbaar (Not dimmable)

40000180 Driver t.b.v. LED paneel, 36 W, 900 mA CC
Driver for LED panel, 36 W, 900 mA CC

40000181 Driver t.b.v. LED paneel, 36 W, 900 mA CC + 2 m kabel + Eurostekker
Driver for LED panel, 36 W, 900 mA CC + 2 m cable + Euro plug

40000182 Driver t.b.v. LED paneel, 36 W, 900 mA CC + 2 m kabel + GST18/3
Driver for LED panel, 36 W, 900 mA CC + 2 m cable + GST18/3

0-10 V dimbaar (0-10 V dimmable)

40000183 Driver t.b.v. LED paneel, 36 W, 900 mA CC, 0-10 V dimbaar
Driver for LED panel, 36 W, 900 mA CC, 0-10 V dimmable

40000184 Driver t.b.v. LED paneel, 36 W, 900 mA CC, 0-10 V dimbaar + 2 m kabel + Eurostekker
Driver for LED panel, 36 W, 900 mA CC, 0-10 V dimmable + 2 m cable + Euro plug

40000185 Driver t.b.v. LED paneel, 36 W, 900 mA CC, 0-10 V dimbaar + 2 m kabel + GST18/3
Driver for LED panel, 36 W, 900 mA CC, 0-10 V dimmable + 2 m cable + GST18/3

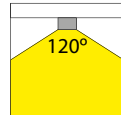
Dali dimbaar (Dali dimmable)

40000186 Driver t.b.v. LED paneel, 36 W, 900 mA CC, Dali dimbaar
Driver for LED panel, 36 W, 900 mA CC, Dali dimmable

40000187 Driver t.b.v. LED paneel, 36 W, 900 mA CC, Dali dimbaar + 2 m kabel + Eurostekker
Driver for LED panel, 36 W, 900 mA CC, Dali dimmable + 2 m cable + Euro plug

40000188 Driver t.b.v. LED paneel, 36 W, 900 mA CC, Dali dimbaar + 2 m kabel + GST18/3
Driver for LED panel, 36 W, 900 mA CC, Dali dimmable + 2 m cable + GST18/3

LED Eco-Panel BL 595 x 595 mm
36 W, incl. separate LED voeding (driver)



- LED Eco-Panel BL 595 x 595 mm inbouwarmatuur
- Flikkervrije LED drivers
- Hoge efficiency, tot 135 Lm/W bij 4000K
- Lichtkleur schakelbaar tussen 3000K, 4000K of 6000K
- Backlight principe waardoor kostbare 'Light Guide Plate' overbodig is en kans op vergeling wordt geminimaliseerd
- Leverbaar in 0-10 V, Dali en touch dimbare uitvoeringen
- Leverbaar met 2 m snoer met Eurostekker of GST18/3 stekker

Toepassingsgebieden: kantoren, ziekenhuizen, laboratoria, scholen, representatieve ruimtes, etc.

- LED Eco-Panel BL 595 x 595 mm recessed luminaire
- Flicker-free LED drivers
- High efficiency, up to 135 Lm/W at 4000K
- Light color switchable between 3000K, 4000K or 6000K
- Backlight principle, eliminating the need for expensive 'Light Guide Plate' and minimizing the risk of yellowing
- Available in 0-10 V, Dali and touch dimmable versions
- Available with 2 m cable with Euro plug or GST18/3 plug

Applications: offices, hospitals, laboratories, schools, representative areas, etc.

Lichtbron (Light source): SMD 2835 LED

Verlichtingshoek (Beam angle): 120°

Kleurtemperatuur (Color temperature): Schakelbaar tussen (Switchable between) 3000K, 4000K en (and) 6000K

Lichtstroom (Light output): Respectievelijk (Respectively) 4000Lm, 4320Lm en (and) 4160Lm

Kleurweergave index (Color rendering index): Ra>80

Bedrijfstemperatuur (Operating temperature): -20°C – +45°C

Aantal branduren (Rated life hours): >50.000 (>50,000)

LED stroom (LED current): 900mA

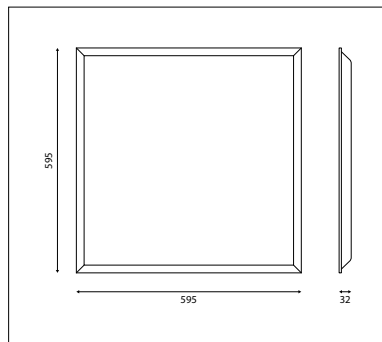
Voedingsspanning (Input): 220-240V, 50-60Hz

Cosinus phi (Power factor): >0,95 (>0,95)

Opgenomen vermogen (inclusief voeding) (Power consumption (driver included)): 36 W

Elektrische veiligheidsklasse (Electrical safety class): Klasse II (Class II)

Driver: Diverse al dan niet dimbare drivers met of zonder aansluitsnoer separaat te bestellen (Various drivers, dimmable or not, can be ordered separately with or without power cord)



CE IP20

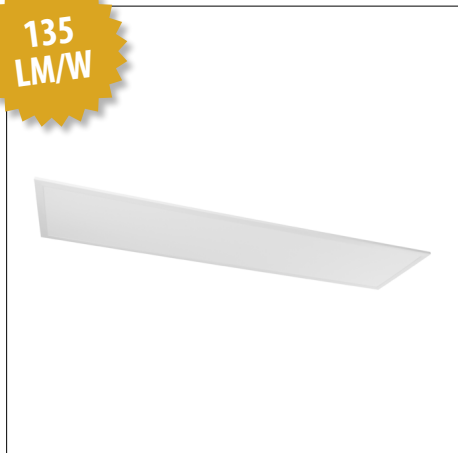


3 JAAR GARANTIE
YEARS WARRANTY

LED ECO-PANEL BL SERIE (LED ECO-PANEL BL SERIES)

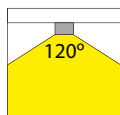
Inbouw (Recessed)

135
LM/W



LED Eco-Panel BL 295 x 1195 mm
36 W, incl. separate LED voeding (driver)

3000K,
4000K & 6000K
IN ONE



40000172

€ 40
(Excl. driver)

LED drivers separaat bij te bestellen
(LED drivers to be ordered separately):

Niet dimbaar (Not dimmable)

40000180 Driver t.b.v. LED paneel, 36 W, 900 mA CC
Driver for LED panel, 36 W, 900 mA CC

40000181 Driver t.b.v. LED paneel, 36 W, 900 mA CC + 2 m kabel + Eurostekker
Driver for LED panel, 36 W, 900 mA CC + 2 m cable + Euro plug

40000182 Driver t.b.v. LED paneel, 36 W, 900 mA CC + 2 m kabel + GST18/3
Driver for LED panel, 36 W, 900 mA CC + 2 m cable + GST18/3

0-10 V dimbaar (0-10 V dimmable)

40000183 Driver t.b.v. LED paneel, 36 W, 900 mA CC, 0-10 V dimbaar
Driver for LED panel, 36 W, 900 mA CC, 0-10 V dimmable

40000184 Driver t.b.v. LED paneel, 36 W, 900 mA CC, 0-10 V dimbaar + 2 m kabel + Eurostekker
Driver for LED panel, 36 W, 900 mA CC, 0-10 V dimmable + 2 m cable + Euro plug

40000185 Driver t.b.v. LED paneel, 36 W, 900 mA CC, 0-10 V dimbaar + 2 m kabel + GST18/3
Driver for LED panel, 36 W, 900 mA CC, 0-10 V dimmable + 2 m cable + GST18/3

Dali dimbaar (Dali dimmable)

40000186 Driver t.b.v. LED paneel, 36 W, 900 mA CC, Dali dimbaar
Driver for LED panel, 36 W, 900 mA CC, Dali dimmable

40000187 Driver t.b.v. LED paneel, 36 W, 900 mA CC, Dali dimbaar + 2 m kabel + Eurostekker
Driver for LED panel, 36 W, 900 mA CC, Dali dimmable + 2 m cable + Euro plug

40000188 Driver t.b.v. LED paneel, 36 W, 900 mA CC, Dali dimbaar + 2 m kabel + GST18/3
Driver for LED panel, 36 W, 900 mA CC, Dali dimmable + 2 m cable + GST18/3

- LED Eco-Panel BL 295 x 1195 mm inbouwarmatuur
- Flikkervrije LED drivers
- Hoge efficiency, tot 135 Lm/W bij 4000K
- Lichtkleur schakelbaar tussen 3000K, 4000K of 6000K
- Backlight principe waardoor kostbare 'Light Guide Plate' overbodig is en kans op vergeling wordt geminimaliseerd
- Leverbaar in 0-10 V, Dali en touch dimbare uitvoeringen
- Leverbaar met 2 m snoer met Eurostekker of GST18/3 stekker

Toepassingsgebieden: kantoren, ziekenhuizen, laboratoria, scholen, representatieve ruimtes, etc.

- LED Eco-Panel BL 295 x 1195 mm recessed luminaire
- Flicker-free LED drivers
- High efficiency, up to 135 Lm/W at 4000K
- Light color switchable between 3000K, 4000K or 6000K
- Backlight principle, eliminating the need for expensive 'Light Guide Plate' and minimizing the risk of yellowing
- Available in 0-10 V, Dali and touch dimmable versions
- Available with 2 m cable with Euro plug or GST18/3 plug

Applications: offices, hospitals, laboratories, schools, representative areas, etc.

Lichtbron (Light source): SMD 2835 LED

Verlichtingshoek (Beam angle): 120°

Kleurtemperatuur (Color temperature): Schakelbaar tussen (Switchable between) 3000K, 4000K en (and) 6000K

Lichtstroom (Light output): Respectievelijk (Respectively) 4000Lm, 4320Lm en (and) 4160Lm

Kleurweergave index (Color rendering index): Ra>80

Bedrijfstemperatuur (Operating temperature): -20°C – +45°C

Aantal branduren (Rated life hours): >50.000 (>50,000)

LED stroom (LED current): 900mA

Voedingsspanning (Input): 220-240V, 50-60Hz

Cosinus phi (Power factor): >0,95 (>0,95)

Opgenomen vermogen (inclusief voeding) (Power consumption (driver included)): 36 W

Elektrische veiligheidsklasse (Electrical safety class): Klasse II (Class II)

Driver: Diverse al dan niet dimbare drivers met of zonder aansluitsnoer separaat te bestellen (Various drivers, dimmable or not, can be ordered separately with or without power cord)

€ 10



€ 15



€ 25



€ 30



€ 35



€ 45



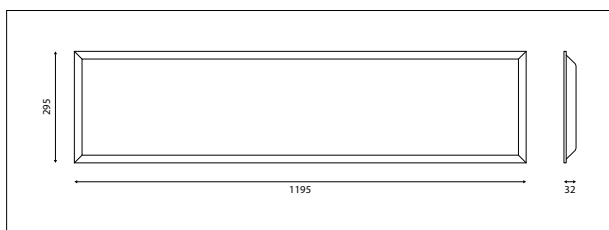
€ 55



€ 60



€ 70



CE IP20



3 JAAR GARANTIE
YEARS WARRANTY